



Kingspan Water Evolution MkIII Pump



Evolution MkIII Pump

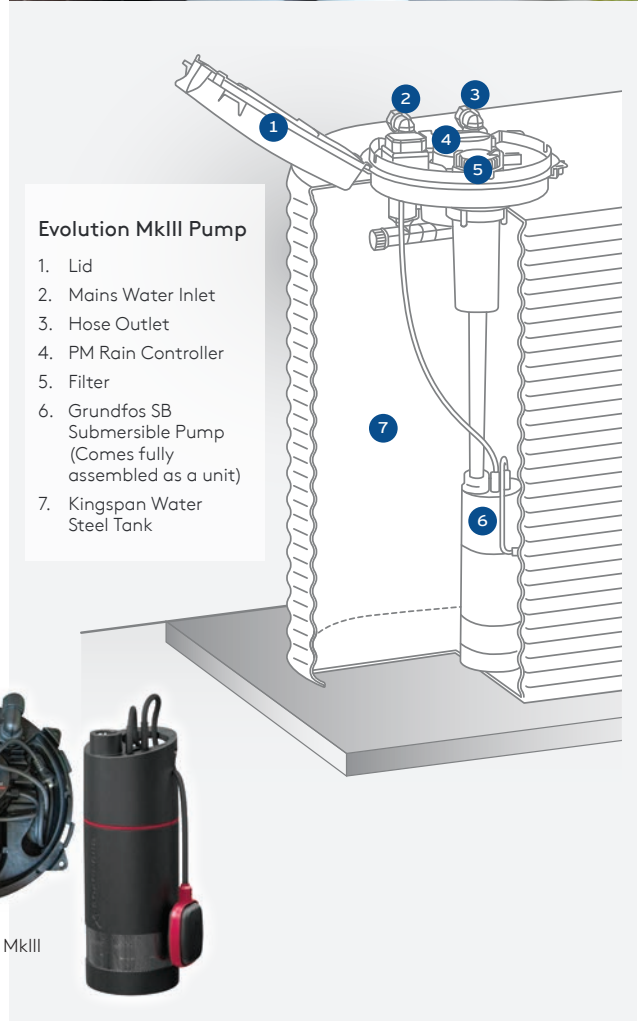
The Evolution MkIII Pump comes as an **integrated unit to fit a Kingspan made to measure tank**. It has a powerful Grundfos Submersible Pump and PM Rain Controller that work together to improve performance and efficiency of the water tank system. When the tank is out of water, or when there is a power outage, the PM Rain Controller automatically opens the main line to internal appliances. The whole unit fits neatly on top of and inside the tank, instead of on the wall, resulting in a more efficient use of space and a better overall appearance.

Recommended for

- Kingspan AQUAPLATE® tanks only
- Homes
- Toilet blocks
- Garden irrigation

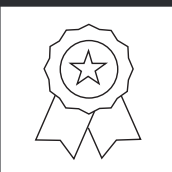
Features & Benefits

- 4 years warranty - 2 years standard + 2 years bonus when registering at kingspanwater.com.au
- Cut installation time in half
- Quick and easy to install resulting in reduced costs
- Efficient use of space and a better overall appearance - pump and change-over device mounted inside and on top of the tank
- Automatically switches to mains water when no water present or during electrical failure
- Dual check valve for back-flow protection
- Only used when rainwater is being drawn from the tank, it does not operate when switched to mains water
- Water source indicator lights
- Mains pressure reduction for water conservation
- Automatic pump and controller operation
- Silent once submerged in tank
- Built in thermal overload and dry running protection
- Corrosion resistant components
- Environmentally friendly - saves water, reduces flow to stormwater systems, no re-pumping of mains water
- Italian made



EVO MkIII

Warranty



Comes with up to 4 years warranty: 2 years standard + 2 years bonus when registering at kingspanwater.com.au/warranty

System Overview

Material, Types & Sizes

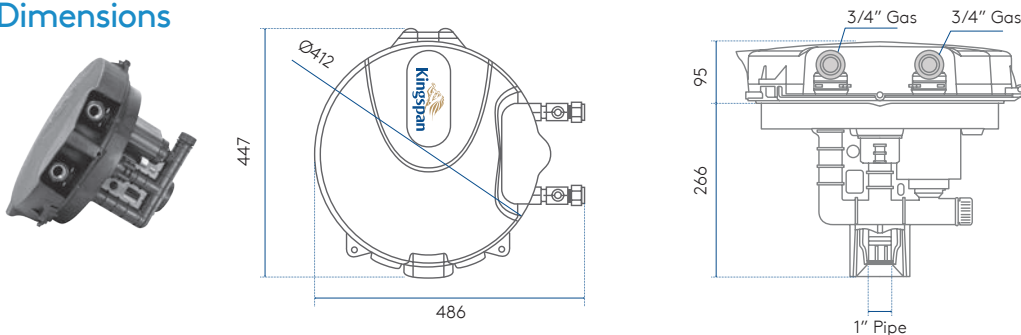
Inlet/Outlet	Material	Type & Size
Mains water inlet	Brass	Female G 3/4"
Rainwater inlet	Composite	Pipe 1"
Home inlet	Brass	Female G 3/4"

Operating Conditions/ Technical Data

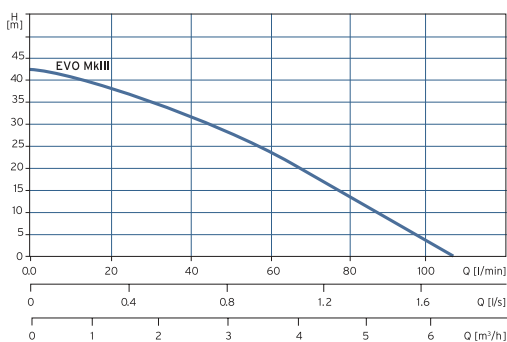
Supply voltage	1 x 240 V
Max. Inductive contact load	14 A
Frequency	50 Hz
Max. Ambient temperature	50°C
Max. Liquid temperature	50°C
(P _{start}) ¹⁾	300 kPa
Q _{min.}	1.0 Litre / min
Time delay during stopping	14 Seconds
Max. Operating pressure	PN 10 /10 bar /1000 kPa /1.2 MPa
Enclosure class	IP65
Volume of internal pressure tank	0.1 Litre
Approvals	AS/NZ 4020 – testing of products in contact with drinking water (Grundfos SB pump and Grundfos PM Rain), WaterMark approval (Grundfos PM Rain only)

¹⁾ The start pressure (P_{start}) can be set in steps of 0.5 bar (50 kPa).

Dimensions



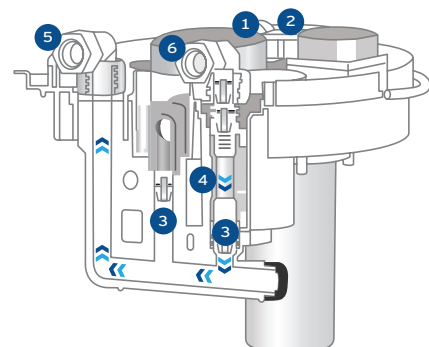
Performance



Key Components

Evolution MkIII Pump

1. PM Rain Controller
2. Filter Cleaner Operator
3. Double Non-Return Valve – Reduces the pressure to conserve mains water
4. Pressure Reducing Valve – Reduce the pressure to conserve mains water
5. House Outlet
6. Inlet – Mains water



Replacement Filter Parts

Replacement Filter Parts

GRUNDFOS 20 MICRON FILTER (Optional Evolution MkIII)
GRUNDFOS 250 MICRON FILTER (Standard Evolution MkIII Filter)
GRUNDFOS CARBON FILTER (Optional Evolution MkIII)

Product Code

FIL-GRUNDFOS20MICRON
FIL-GRUNDFOS250MICRO
FIL-GRUNDFOSCARBON

Call 1300 736 562 to speak to a tank expert today, or visit kingspanwater.com.au for further information.



OUR LOCATIONS

SYDNEY
3 Herbert Place
Smithfield NSW 2164

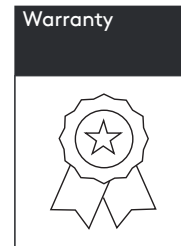
Deniliquin Warehouse/Depot
Lot 2 Wakool Road
Deniliquin NSW 2710

MELBOURNE
860 Cooper Street
Somerton VIC 3062

BRISBANE
93 Magnesium Drive
Crestmead QLD 4132

PERTH
14 Ballantyne Road
Kewdale WA 6106

kingspanwater.com.au
sales.au@kingspan.com
1300 736 562



Comes with up to 4 years
warranty: 2 years standard
+ 2 years bonus when registering
at kingspanwater.com.au/warranty